

Raised plate holder

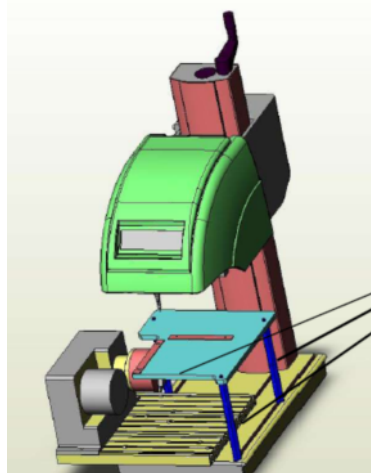
Product Description

Additional device for machines already equipped with the TAG feeder or with the DP circular marking device.

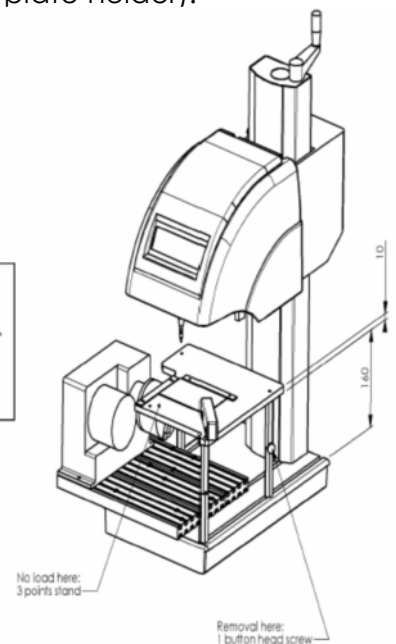
The raised plate-holder enables you to mark easily plates or small parts without the need to remove the positioned & adjusted accessory.

The raised plate holder can be fixed easily and rapidly into the T-shaped grooves of the table.

When dismantling, only the plate stand needs to be removed (pillar screws stay in position enabling a rapid repositioning of the plate holder).



The raised plate holder can be fixed easily and rapidly into the T-shaped grooves of the P3000 table.



Benefits of the raised plate holder

■ Versatility

A clever accessory to make the machine adaptable to all your marking needs. It enlarges the variety of parts you can mark.

■ Simple

A simple dismantling operation of the raised plate holder is enough to go from one type of marking to the other (Flat-circular-automated plates).

■ Time saving

This device allows you to change from one accessory to the other in seconds. No need to remove the attachment from the machine table. This saves time and gains efficiency for the user.

Technical Features

Item code : 25153

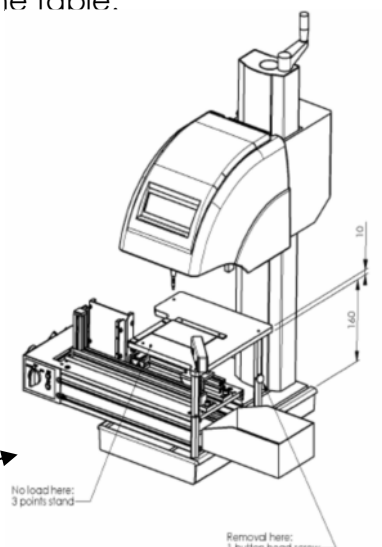
Overall dimensions: L 184 x W 137mm – 7.25 x 5.4 in

Maximum plates dimensions :

120 x 75mm – 47.16 x 29,5 in

Net weight: 5,1 kg – 11.24 lb

Compatible with both P3000 and P5000



P3000 fitted with both Tag feeder device & Raised plate holder

PRO-PEN

114, quai du Rhône
F-01708 MIRIBEL Cédex

Tel: +33 (0)4 78 55 85 63

Fax: +33 (0)4 78 55 85 66

www.pro-pen.com